

PowerAmp Design

CAGE JACK STRIP ACCESSORY COMPONENT

CJS01

Rev B

KEY FEATURES

- SINGLE STRIP OF 32 CAGE JACKS
- EASILY CUT TO LENGTH
- EASY CAGE INSERTION INTO PCB

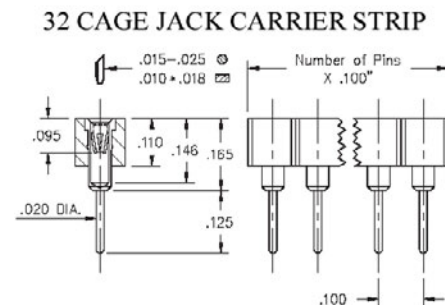
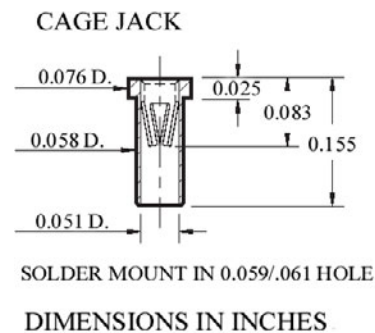
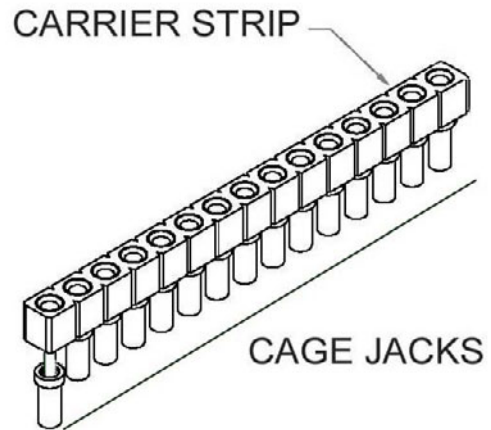
APPLICATIONS

- EVALUATION BOARDS
- MOTHER BOARD ASSEMBLY

DESCRIPTION

The CJS01 is the same cage jack accessory strip supplied in Power Amp Design evaluation kits like the EVAL117. The 32 cage jack strip simplifies the insertion of the cage jacks into the PCB. The strip can be cut to size easily with wire cutters. The left-over carrier strip can be used as a socket for small leaded components similar to ¼ watt resistors, small capacitors and ICs or transistors. The CJS01 is assembled by Power Amp Design and uses components manufactured by Mill-Max. The CJS01 is on a 0.1" pitch.

The cage jacks allow for easy insertion and extraction of the amplifier and provide strain relief on the amplifier's pins. The socket 6 finger contacts are 30µ" gold plated. Please refer to the Mill-Max part number 0305-2-15-01-47-27-10-0 for further information.



PowerAmp Design ♦ CJS01 ♦ CAGE JACK STRIP ACCESSORY COMPONENT